

Installation Precautions

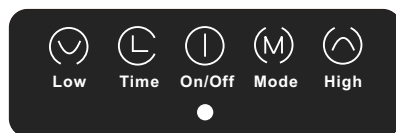
1. Please check the product if there is any damage before use.
2. It is forbidden to disassemble and modify this lamp during the warranty period.
3. In order to ensure that the lamp works properly, please use the supplied AC power adapter.

Specifications

Power	12W
LED	72 PCS LED(SMD4014)
Input voltage	AC 100-240V / DC 12V/2A
CRI	>80
Luminous Flux	1200LM
Color Temperature	2700-6500k
Dimmable	Yes
Ta	-20℃-45℃
Warranty	2 Years

Features

Five color models, eight brightness levels, dual timer switch, sensitive touch control, adjustable design, built-in usb port, memory function.



a. Touch ON/OFF switch button, 6500K (default 100% brightness).



- Touch the "M" button, 2700K (default 100% brightness).
- Touch the "M" button again, 3200K (default 100% brightness).
- Touch the "M" button again, 4000K (default 100% brightness).
- Touch the "M" button again, 6000K (default 100% brightness).
- Touch the "M" button again will follow the previous steps.



b. 8 brightness levels, after selected the mode, touch the brightness adjustment button (Low or High) to adjust light mode from 10% to 100%: 10%, 20%, 35%, 45%, 60%, 75%, 85%, 100%.

Note: Once the brightness level is selected, when you change the mode, the brightness level will remain the same.



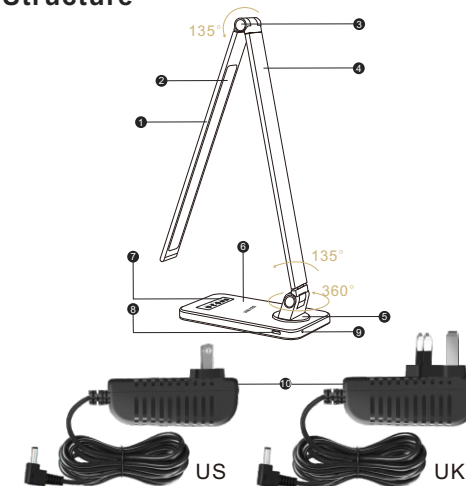
c. Timing key function: In any mode where the light is on, touch the "Time" button once, the red lights will on, indicates the timing is 30 minutes; Touch the "Time" button again, the green light will on, indicates the timing is 60 minutes. Touch the "Time" button again to cancel timing.



30Min red      60Min green

d. Time-saving memory function: When the power adapter is connected, turned on the lamp, it will maintain the brightness and mode of the last use.

Structure



- 1 Lamp shell
- 2 LED
- 3 Rotatable linker(135°)
- 4 Desk lamp bracket
- 5 Rotatable base(360°)
- 6 lamp base
- 7 Touch button area
- 8 USB output(DC 5V/1A)
- 9 Power connection(DC 12V/2A)
- 10 Adapter

Warning

- Do not repair, disassemble or modify this lamp at any situation.
- Do not place the lamp near heat or direct sunlight.
- Place it on a flat, safe surface.
- Use the supplied AC adapter only (or AC adapter with the same parameters).
- Do not use electrical appliances that are worn or damaged.
- Do not touch the lamp when there is water or liquid on your hands.
- Please keep the lamps and all appliances dry and clean.
- Unplug the adapter if long time no use.
- Only use a soft, dry cloth for clean, do not use solvents or cleaners.
- Do not use overload circuit, otherwise it may cause electric shock or fire.

MEIKEE

EC REP C&E Connection E-Commerce (DE) GmbH  
 Zum Lindegraben 20, 65933, Frankfurt am Main, Germany  
 E-mail: info@c&e-connection.de Tel: +49 (0)69 27246648

Manufacturer: Shenzhen Oumeike Lighting Technology Co., Ltd.  
 Address: No. 19-20, Anye Road, Yuanshan Street, Longgang District, Shenzhen, Guangdong, China (+86 0755-28608199)  
 Contact: meikee@meikeelighting.com  
 Website: http://www.meikeelighting.com

