

Projection Lamp User Manual

Thank you so much for choosing MEIKEE products. To ensure safety use, please follow the instructions for installing and commissioning.

Notice

In order to reduce the risk of fire, electric shock, or injury when using electrical appliances, please take precautions as below, but are not limited to:

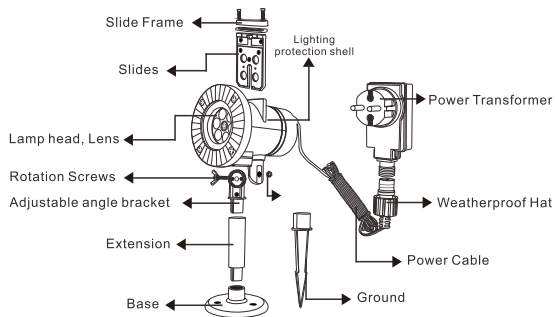
1. Read all instructions and use only as directed.
2. This product only suitable for entering the polarity socket in a one-way manner, since it has polarity plug to reduce the risk of electric. If the plug is not suitable, please try to reverse the plug. If it still does not fit, please contact a qualified electrician. Do not insert the extension cord unless the plug is fully functional. And do not replace the plug.
3. To ensure safety, please do not open the protective case. Please entrust the electrician to maintain and inspect the light. Non-professionals are prone to danger.
4. The product contains a 5m extension cable. The types are: SW, SW-A, SOW, SOW-A, STW, STW-A, STOW, STOW-A, SJW, SJW-A, SJOW, SJOW-A, SJTW, SJTW-A, SJTOW, SJTOW-A.
5. Ground Fault Circuit Interrupter (GFCI) protection is to be provided on the circuit(s) or outlet(s), to be used while operating portable projection light in a wet location. Receptacles with built-in GFCI protection are available for this purpose.

Specifications:	
SKU	66000016-TY
Power:	6W
Power input:	100-240VAC 50/60HZ 300mA (when used with supporting transformer)
Light source type:	4 LED
Cable length:	5 Meters
Rotation angle:	Up and down direction 180°
Projection range:	4-6 Square
Waterproof rating:	Adapter: IP44; Lamp: IP65
Temperature:	-25°C-45°C

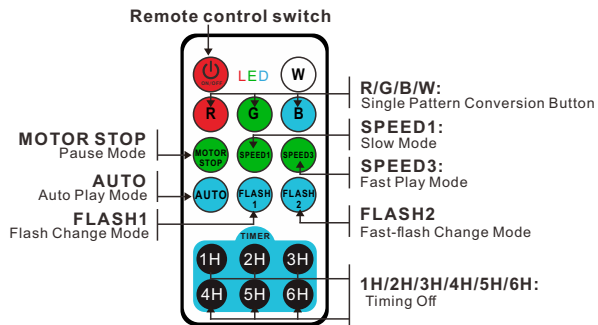
Components and Structure

Carefully unpack package contents to make sure all parts are presented, some assembly is required. Note: For your convenience, one slide is inside of the projector.

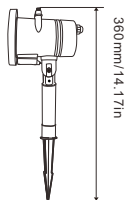
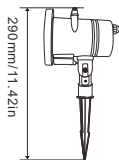
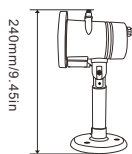
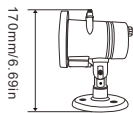
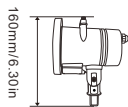
Package includes: 1* Light projector, 1* power transformer, 12* slides, 1* ground, 1* base, 1* extension, 1* remote, 1* rotation, 1* rotation screws, 1* swivel nut, 1* auxiliary hex wrench.



Remote control:



Size



Instructions:

1. Assembly

- Step 1: Use a screw and nut to attach the rotation holder to the adjustment bracket.
- Step 2: Access to the base or ground plug. If need to increase the height can be connected to the extension first, then connect to the base or plug.
- Step 3: Insert the 2 fork adapters into the socket of the power transformer and tighten the weatherproof cap to help protect it from the weather.
- Step 4: Place the lamp about 10 to 15 feet away from the projection surface. Adjust the distance to get the best projection effect.

2. Install the slide

- (1). Unscrew and remove the two screws (using the auxiliary hex wrench) on the fixed slide frame and remove the frame cover. The slides should be easily pulled out.

Note: A slide has been placed in the slides should be easily slide frame. To install a different slide, pull the preloaded slide out of the frame while being careful not to touch the slide image.

- (2). Load the new slide into the slide frame. To do this, first position the slide and the vertical grooves on the slide align with the tabs on the frame. Next, insert the slide into the frame, then attach the frame cover and screw on the two screws of the frame.

Note: Be careful to avoid touching the slide image.

Tips:

1. If you insert a different slide, you may need to adjust distance for clarity. Position the angle of projection by loosening and tightening the angle adjustment screw.
2. When installing the projector, the fan exhaust port should be at the bottom.
3. Make sure that the fan vents are not blocked, Or the equipment and slides may be damaged.
4. Only use the supplied transformer to connect to a properly grounded outdoor outlet.
5. To extend the life of the product, it is recommended to stop working for half an hours after working for 6 hours.